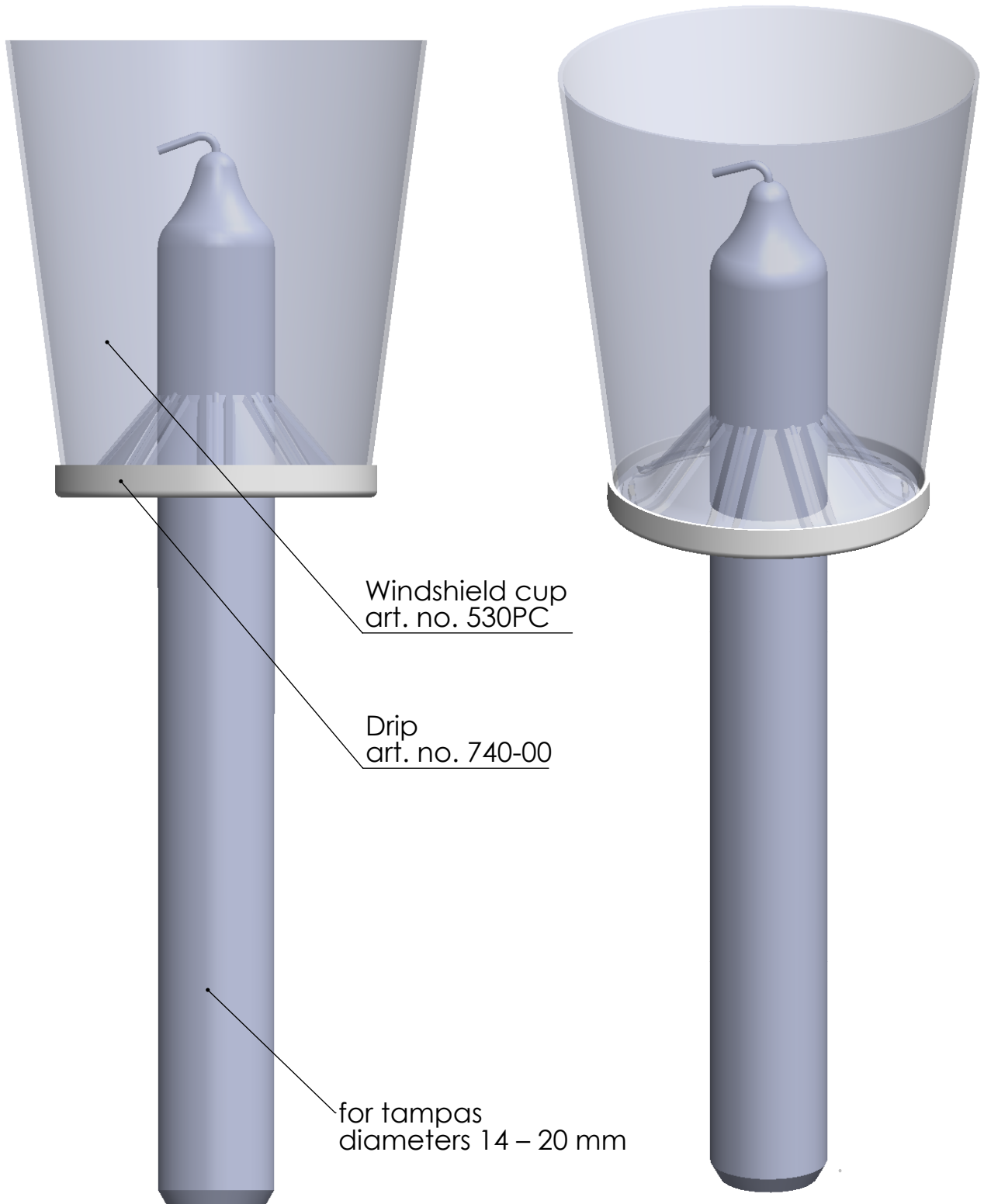


Windshield cup combined with drip for tampas



Windshield cup
art. no. 530PC

Drip
art. no. 740-00

for tampas
diameters 14 – 20 mm

1:1
A4

530PC + 740-00

EG-PLASTIC
SPRITZGUSSTECHNIK

EG-Plastic GmbH
Dockweiler Str. 18
54522 Dreis-Brück

Tel.: +49 (0) 6595 9299-0
Fax: +49 (0) 6595 9299-18
info@eg-plastic.de

Index A

Material: PC / TPE

2019-11-13

www.eg-plastic.de

Copyright EG-Plastic GmbH

DIN EN ISO
9001